



Power supply unit type Z-M/ASM



Power supply unit type Z-M/ASM is an electrical device designed for use in underground mining coal face pits in non-explosive hazard conditions or on the ground. Power supply unit type Z-M/ASM is designed for connecting and switching on one receiver (especially electronic industrial scale) for the rated voltage of 500V. The device is equipped with power protection against short-circuits and overloads.

TECHNICAL DATA:

ingress protection	IP54
rated power supply voltage (Ue1)	500V, 50 Hz
rated outlet voltage (Ue2)	230V, 50 Hz
maximum rated drain current	4A
dimensions	600 x 450 x 320 (H x W x D)
weight	30 kg

BUDOWA

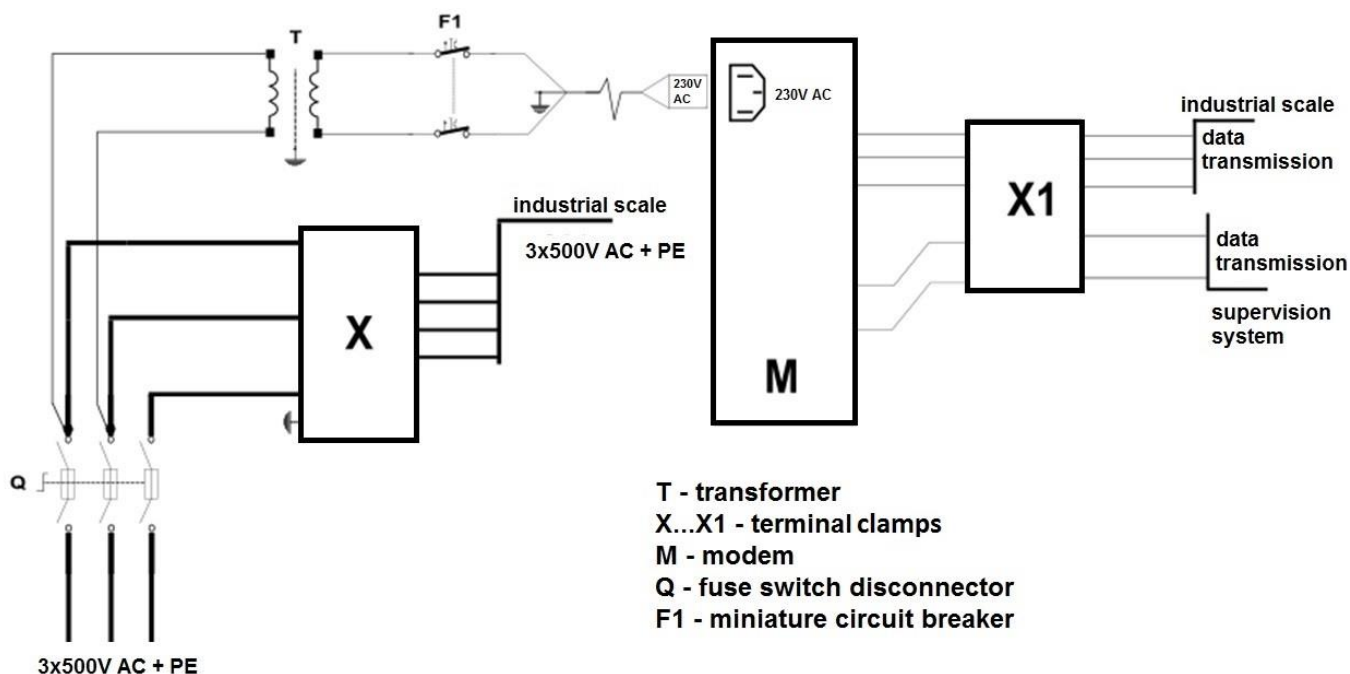
The power supply unit housing is made of steel sheet and comprises of a power supply and control compartment.

The device is set in a construction made of a square steel profile and the housing has got firings allowing for fixing. Protection against dripping water is provided by a metal roof.

MODE OF OPERATION

The control outlet is made with the lever of fuse switch disconnecter on the face of the power supply unit. Power supply ZM-/ASM is dedicated to supply with voltage (500V AC) electronic industrial scale. The device is equipped with modem intended for the transmission of data to supervision system.

SCHEMATIC DIAGRAM



Orders should be submitted in writing or by fax to the address:

 **Instal-Service PL**

Spółka z ograniczoną odpowiedzialnością
Spółka komandytowa
58-506 Jelenia Góra, ul. Wrocławska 15a
tel. (+48 075) 64-57-950
fax. (+48 075) 64-57-951
e-mail: instal@instal-service.pl